

TOSHIBA

UNINTERRUPTIBLE POWER SYSTEMS



XT

1800 Series

1500/2000/2400 VA

3 Year
Warranty

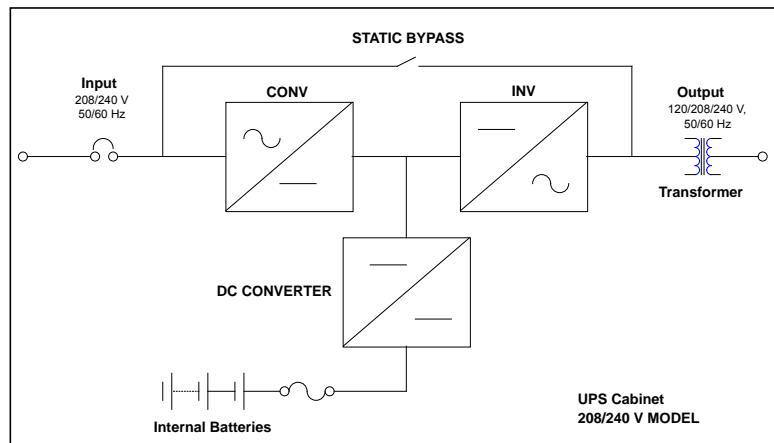
Reliability in motion[®]

- True On-Line Double Conversion, PWM Input PF Correction UPS
- Isolation Transformer for Complete Power Conditioning
- High Overload and CF for Motor Type Loads
- Auto-Restart and Cold Start Features for Remote Location
- Increased Input Voltage Window +10% to -40% for Increased Battery Life
- Four (4) Fan Speed for Optimum Cooling and Noise Reduction
- Compactly Designed, Both Rectifier and Inverter Utilize 36.5 kHz IGBT Technology
- Intelligent Charger with Rapid Charge in only 3.5 hours to 90%
- Wide Input Frequency Window for Complete Generator Compatibility

1800 Series 1500/2000/2400 VA

CAPACITY		1500 VA	2000 VA	2400 VA
INPUT	Voltage	Single-Phase 120 Vac; 208/240 Vac (3 Wire Input/L-L,G); 230 Vac (3 Wire Input / L, N, G)		
	Voltage Range	72 V to 132 V (+10% to -40%), 144 V to 264 V (+10% to -40%)		
	Frequency	50/60 Hz Auto-Sensing		
	Synchronization Window	± 3 Hz		
	Power Factor	Greater than 0.95		
OUTPUT	Voltage	Single-Phase 120 Vac; 120/208/240 Vac (3 Wire Input/L-L,G); 230 Vac (3 Wire Input / L, N, G)		
	Capacity (VA/W)	1500 VA/1050 W	2000 VA/1400 W	2400 VA*/1680 W*
	Voltage Regulation	± 3%		
	Voltage Distortion	Less than 5% THD at Full Non-Linear Load. Less than 3% THD at Full Linear Load.		
	Step Load	± 9% Max. from 100% to 0% or from 0% to 100% Linear Load		
	Rated Current at 120 V	12.5 A	16.67 A	20 A
	Overload Capacity	125% for 1 Minute; 150% for 30 Seconds		
	Crest Factor	2.5 at Full Load		
	Frequency	50/60 Hz Auto-Sensing (± 0.5 Hz)		
	Wave Form	Sine Wave, Zero Transfer Time		
	Load Power Factor	0.7		
Efficiency AC to DC to AC	80%			
BATTERY	DC Voltage	48 V		
	Backup Time (Full Load)	13 Minutes	10 Minutes	7 Minutes
	Battery Type	Energys NPX-35FR Lead Acid 9 Ah/12 V		
PHYSICAL	Number of Batteries	Two (2) Strings in Parallel, Four (4) Batteries per String		
	Interface	RS-232, Dry Contact, External Battery Connectors		
	Line Cord and Receptacles	Hardwired (With Optional Line Cord & Receptacle Panels)		
	Dimensions	254 W x 686 D x 597 H mm (10 W x 27 D x 23.5 H in.)		
OPTION	Weight	77 kg (170 lbs.)		
	Network Interface Card	RemotEye®II Part #: RMTI-INT-R4		
ENVIRONMENT	Environmental Monitoring Device	Part #: RMTI-EMD-HT		
	Operating Ambient Temperature	0 to 40° C (32 to 104° F)		
	Humidity	30% to 90%, Non-Condensing		
CONFORMANCE	Audible Noise	Less than 50 dB Normal and Battery Modes		
	Altitude	1000 m (3000 ft) Above Sea Level		
CONFORMANCE	Regulatory Approvals	UL1778, CUL, CE, FCC Class A, IEEE 587, ANSI/C62.41, ISO 9001, ISO 140001, NEMA/PE1-1993		
	Warranty	Three (3) Years on Electronics Two (2) Years Full Replacement on Batteries (See Toshiba Warranty Policy for Full Details)		

*208/240 Transformer Models Result in 5% Derating



UPS ADJUSTABLE SPEED DRIVES MOTORS CONTROLS INSTRUMENTATION PLC

TOSHIBA

D

TOSHIBA INTERNATIONAL CORPORATION
INDUSTRIAL DIVISION

L L

L O O I
II L

II

L O O
II

L
R

I

II II N I

A O