

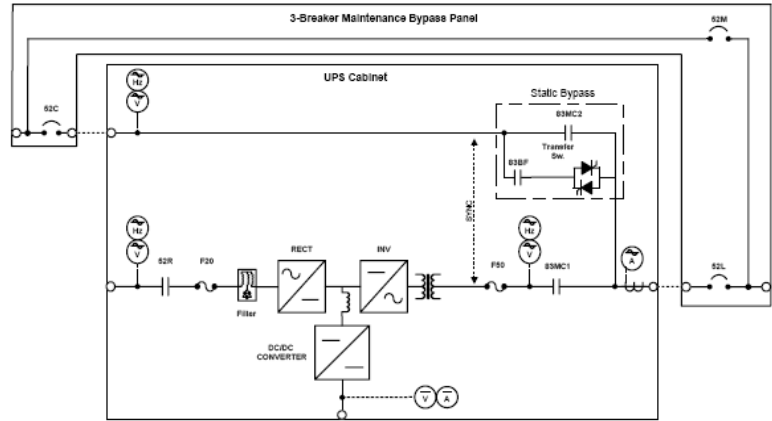
TOSHIBA

100kVA

G8000MM Series

Single/Parallel/Redundant

Three Phase UPS



Features at-a-glance

- | | | |
|--|---|--|
| <ul style="list-style-type: none"> • Single/Parallel in one box for modular design • Parallel Circuits in each UPS for reliability • True Online, Double-Conversion Technology • Dual Input Design (Alternate Input for bypass) • Static Bypass Switch <ul style="list-style-type: none"> - Thyristor + Contactor for highest reliability | <ul style="list-style-type: none"> • LCD Touch screen Graphic Display • IGBT Inverter – Space Vector Modulation • Output Isolation Transformer • All Digital Signal Processor (DSP) software logic using 12 bit processor | <ul style="list-style-type: none"> • Battery Temperature Compensation • Generator Compatible 1:1 • Monitoring Options <ul style="list-style-type: none"> - RemotEye II (SNMP/Web) - Memory Card w/software - Dry Contacts |
|--|---|--|

Input Specifications

Voltage range: 480V +15% -15%
 (Optional Cabinet for 208V, 600V)
 Frequency range: 60Hz, +/- 5%
 Power factor: >0.98
 Input current THD: less than 6% at 100% load
 Surge protection: Meets ANSI C62.41

Battery Specifications

Cabinets or Racks with DC Breaker
 Battery type: Sealed Valve Regulated Lead-Acid
 Recharge time: 10 x discharge time to 95% capacity
 DC Link: 480VDC Nominal

Environmental Specifications

Ambient temperature: 0C to +40C
 Relative humidity: 5%-95% Non-Condensing
 Altitude: 0 to 9000 feet without derating
 Audible noise: Less than 65 dBA at 1 meter

Output Specifications: 100 kVA/80 kW (0.8PF)

Voltage: 480Y/277V Standard
 (Optional 600/347V)
 Voltage regulation: +/- 1%
 Freq. regulation: +/- 0.05% (Free running)
 Dynamic response: +/-2% at 100% load step
 (recovery in less than 1 cycle)
 Voltage Distortion:
 Less than 2% for 100% linear load
 Less than 5% for 100% non-linear load
 Freq. sync range: +/- 0.5 or +/- 1.0Hz
 Freq. slew rate: 1 Hz/second
 Voltage adjustment: +/-5% (user selectable)
 Overload capacity: 1000% for 1 cycle
 150% for 1 minute
 125% for 10 minutes
 Crest Factor: 2.5 : 1

Safety

UL/CUL 1778 Listed
 All cabinets provide for seismic zone 4 mounting
 FCC Class A

Options

Input/Output Transformer Cabinet
 Maintenance Bypass Cabinet
 RemotEye II™ Network Adapter
 “Security Plus” Maintenance Agreement

TOSHIBA G8000MM - 100kVA SPECS

Item: T8MS3K10KKSXSN		100
		100kVA/80kW
Input Voltage	Volts	480
Output Voltage	Volts	480/277
Input Voltage Range		+15% to -15%
Minimum	Volts	408
Maximum	Volts	552
Frequency	Hz	60
AC Input Current		(> 0.98 PF)
Nominal Amps	Amps	108
Maximum Amps ⁽¹⁾	Amps	130
Bypass Input	Volts	480/277
Nominal Amps	Amps	120
AC Output Current		(at 0.8 PF)
Nominal Amps	Amps	120
10 Minutes Max.	Amps	150

Item: T8MS3K10KKSXSN		100
		100kVA/80kW
DC Link		
Nominal DC Voltage	Volts	480
Float Voltage	Volts	545
End of Discharge	Volts	401
Charger	Amps	30
Efficiency		
Efficiency	%	91

Full Load Heat Dissipation		
kBTU/Hr.		27
kW Loss		7.0

(1) Maximum Amps equals full load current plus battery recharge current.

